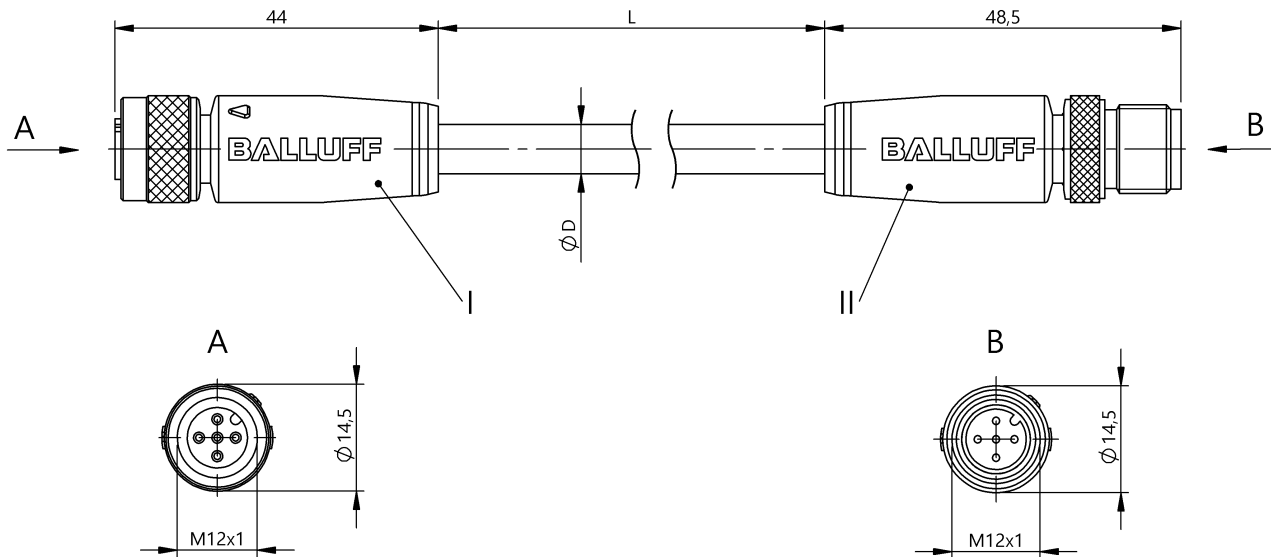


Double-Ended Cordsets  
**BCC M415-M415-3A-330-VS85N6-030**  
 Order Code: BCC0FMW

**BALLUFF**



**Basic features**

<b>Application</b>	DeviceNet Thin
<b>Approval/Conformity</b>	CE cULus WEEE

**Environmental conditions**

<b>Ambient temperature</b>	-20...80 °C
<b>IP rating</b>	IP67, IP68, IP69K/IP67, IP68, IP69K

**Electrical connection**

<b>Cable</b>	PVC Shielded gray, 3 m
<b>Cable diameter D</b>	7.20 mm ±0.13 mm
<b>Conductor cross-section</b>	22 AWG
<b>Connection 1</b>	M12x1-Female, straight, 5-pin, A-coded
<b>Connection 2</b>	M12x1-Male, straight, 5-pin, A-coded
<b>Number of conductors</b>	4
<b>System</b>	Molded/Molded

**Material**

<b>Cable jacket material, note</b>	Shielded
<b>Cable jacket, material</b>	PVC
<b>Cable shield</b>	Aluminum foil and copper braid
<b>Material contact carrier</b>	PUR/PUR
<b>Material contacts</b>	Bronze/Brass
<b>Material cover nut</b>	Die-cast zinc/Die-cast zinc
<b>Material grip</b>	PUR/PUR

**Electrical data**

<b>Cable rated voltage AC max.</b>	300 V
<b>Cable rated voltage DC max.</b>	300 V
<b>Conductor construction</b>	2x2 twisted-pair
<b>Operating voltage Ub</b>	60 VDC / 60 VAC
<b>Rated current (40 °C)</b>	4.0 A
<b>Surge impedance</b>	120 Ohm ±12 Ohm

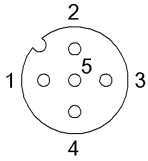
**Mechanical data**

<b>Cable jacket, color</b>	gray
<b>Cable length L</b>	3.00 m
<b>Tightening torque pigtail</b>	0.6 Nm/0.6 Nm

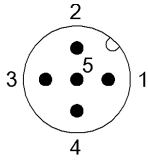
**Remarks**

Cable construction acc. to CMG 75°C or CL2  
 Flame resistant per UL 1685 (CSA FT4)  
 Enclosure rating per IEC 60529 or 20653, only in screwed state with the associated mating piece.

**Connector Drawings**

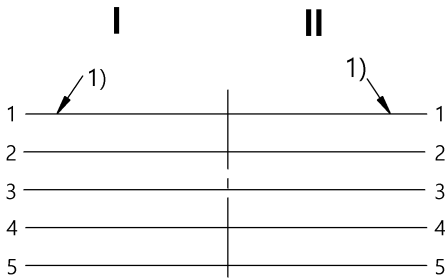


- I  
 PIN 1: shield  
 PIN 2: red (AWG22)  
 PIN 3: black (AWG22)  
 PIN 4: white (AWG24)  
 PIN 5 blue (AWG24)



- II  
 PIN 1: shield  
 PIN 2: red (AWG22)  
 PIN 3: black (AWG22)  
 PIN 4: white (AWG24)  
 PIN 5 blue (AWG24)

**Wiring Diagrams**



1) Shield on PIN 1